

ISOLATED TRANSMITTERS

The JMS 8H, I, and E are available in a Universal Intelligent 2-wire DIN Rail Transmitter. The combination of competitive pricing, functionality and simple configuration has made these DIN rail transmitters the leading transmitter for industrial temperature measurements.

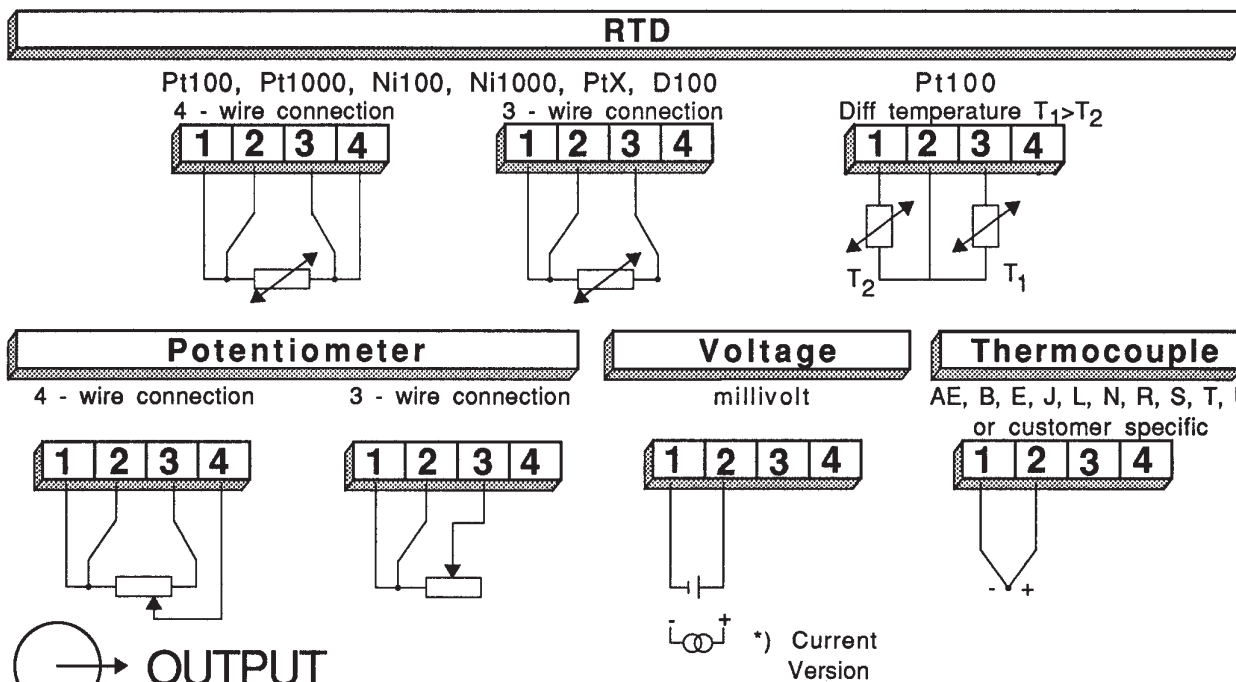
Performance and design:

- Excellent Stability
- Long-term stability 0.1% / year
- Input-Output isolation 1500 VAC
- High load capacity
- Designed for harsh conditions
- Space Saving and simple mounting

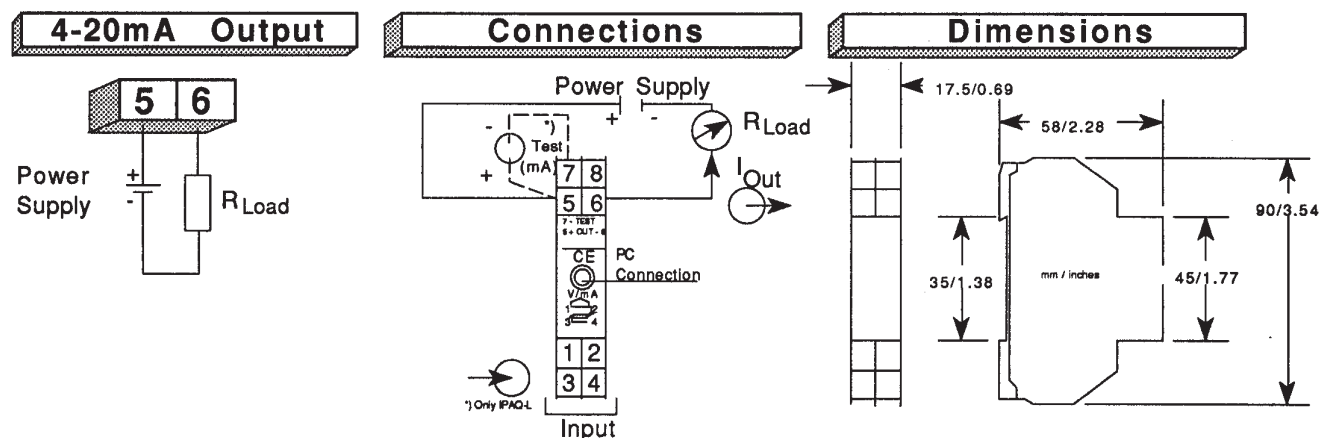
Functions:

- Input for RTD's, T/C's and mV and resistance
- Input for mA
- True on-line communication
- Sensor Diagnostics
- Simplified loop check-up
- On-screen indications and line recording

INPUTS



OUTPUT



SECTION 8