

SUPPORT ACCESSORIES FOR PLUGS AND JACKS

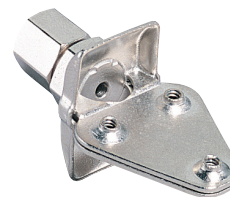
TUBE ADAPTER FOR USE WITH PLUG OR JACK ON SHEATH

Nickel plate steel construction compression fitting. Always used with high temp. connectors and dual connectors mounted to sheath, may be specified on standard plugs and jacks.

SYMBOL	
SINGLE	DUAL
6V063S	6V063D
6V125S	6V125D
6V188S	6V188D
6V250S	6V250D

OUTSIDE TUBE DIAMETER

1/16"
1/8"
3/16"
1/4"



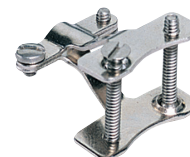
CABLE CLAMP FOR USE WITH PLUG AND JACK WITH LEAD WIRE

Nickel plated steel. For cable up to 3/8" diameter. Always used to support plug mounted on wire lead.

SYMBOL
6H

DESCRIPTION

Cable Clamp

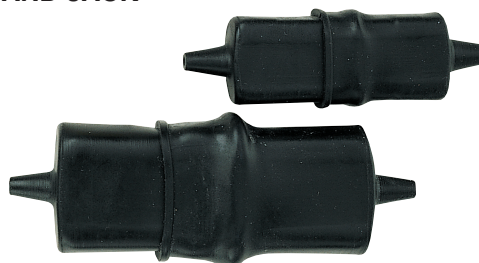


WATER RESISTANT NEOPRENE BOOT FOR USE WITH PLUG AND JACK

SYMBOL
6WPB

DESCRIPTION
Flexible moisture proof boot for connector and wire connection.

MAX. TEMP.
212°F



SECTION 6

PANEL ADAPTOR

SYMBOL
6ACL

DESCRIPTION

Panel Adaptor

JACK NOT INCLUDED



ROUND SINGLE CIRCUIT PANEL JACK

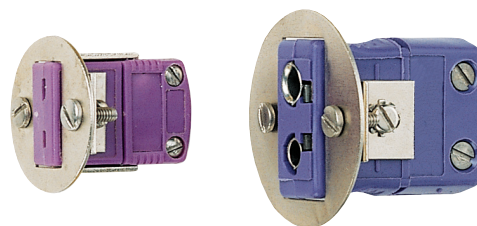
Designed for mounting into an instrument case or control panel from the front. Fits in a standard 3/4" knockout (1 1/8" diameter). Polarity and color coded for identification.

JACK NOT INCLUDED

SYMBOL
6RSC
6RMC

DESCRIPTION
Round Single Circuit Panel Jack
(Standard)
(Mini)

MAX. TEMP.
400°F

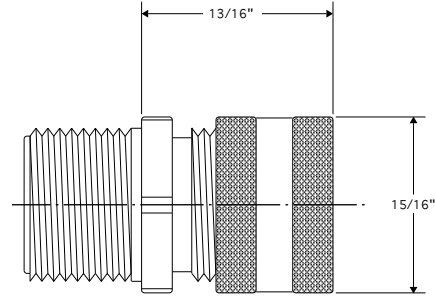


To print, right click or press ctrl + P

SUPPORT ACCESSORIES

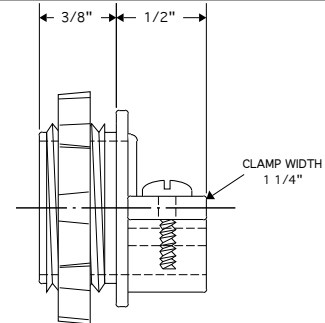
CORD CONNECTOR FOR USE WITH ATTACHING HEAD ASSEMBLIES AND FLEX ARMOR

SYMBOL	DESCRIPTION	MAX. TEMP.
6CC	Cord Connector	250°F



JUNCTION BOX CONNECTOR

SYMBOL	DESCRIPTION	MAX. TEMP.
6JBC	Junction Box Connector	250°F



PLUG LOCK

SYMBOL	DESCRIPTION
6FCL	Plug Lock

