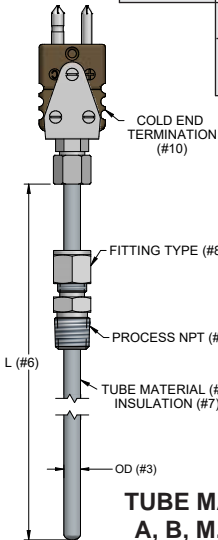
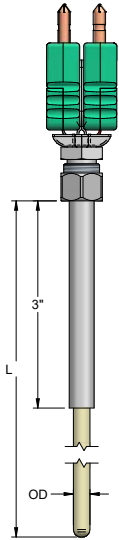


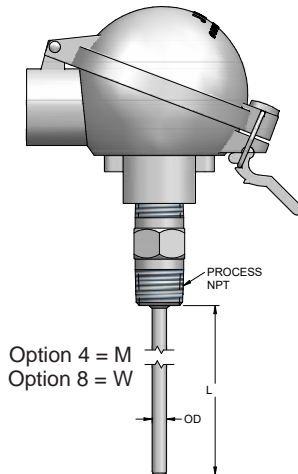
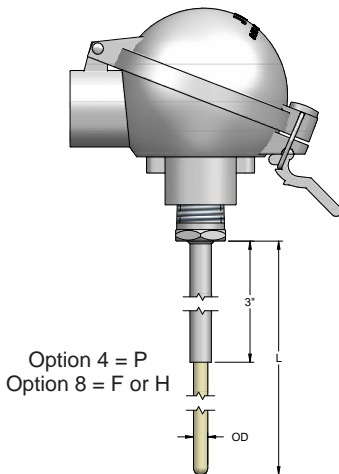
# SINTERING, FURNACE & GLASS THERMOCOUPLES

#1	DESCRIPTION	
4G	Sintering, furnace & glass thermocouple	
#2	TYPE [Add a "2" before the letter to indicate dual element construction (Example: Dual type S would be coded "2S")]	
S	Platinum/Platinum 10% Rhodium	C Tungsten 5% Rhenium/Tungsten 26% Rhenium
R	Platinum/Platinum 13% Rhodium	A* Tungsten 5% Rhenium/Tungsten 20% Rhenium
B	Platinum 6% Rhodium/Platinum 30% Rhodium	X Other, specify <b>*Rated 1000°C to 2500°C</b>
#3	OUTSIDE DIAMETER	
A	3/8" (.375")	F* 1/25" (.040") <b>*Not available in dual element</b>
B	1/4" (.250") (Standard)	X Other, specify
C	3/16" (.188")	Z N/A
D	1/8" (.125")	
E*	1/16" (.063")	
#4	TUBE MATERIAL	
A	Platinum - 10% Rhodium	R* Molybdenum
B	Platinum - 20% Rhodium	S* Tantalum <b>*Purged and filled with high temperature inert gas</b>
M	Inconel 600	T* Titanium
P	Alumina w 3" I600 sleeve	RL* Molybdenum-LX
X	Other, specify	RT* Tungsten coated molybdenum
<b>NEW</b> ASK ABOUT OUR SMALL DIAMETER (.01" to .063") SWAGED TANTALUM AND PLATINUM OPTIONS! Call Now (800)-873-1835		
#5	THERMOCOUPLE JUNCTION	
G	Grounded	
U	Ungrounded (Standard) required for Type C	
#6	IMMERSION LENGTH	
__"	Length in inches	
#7	INSULATION	
A	Al <sub>2</sub> O <sub>3</sub> (Standard - Aluminum Oxide)	
H	HfO <sub>2</sub> (Hafnia)	
X	Other, specify	
#8	FITTINGS	
Z	No fitting (Standard)	
F	Reverse mounted SS plug fixed for attaching head	
H	Compression fitting SS w/ SS ferrule	
W	Welded fitting, double threaded, 1/2" x 1/2" NPT	
X	Other, specify	
#9	PROCESS NPT	
A	1/2"	
B	1/4"	
C	1/8"	
X	Other, specify	
Z	N/A (Standard)	
#10	COLD END TERMINATION [Additional options see Pg 1-7]	
C	Standard temperature plug	
F	Hi-temperature std plug (Standard)	
WE	Ultra high temp plug glazed <1200F	
WH	Ultra high temp plug unglazed <1200F	
I	Aluminum Exp. Proof NEMA 4x, FM, CSA, IP68 (6IA)	
L	Aluminum w/ hinged cover (6L)	
M	Aluminum w/ screw cover (6M)	
X	Other, specify	
<b>Note: For detailed specifications and ratings, see <a href="http://JMS-SE.com/headspecs">JMS-SE.com/headspecs</a></b>		
#11	TAGGING AND CALIBRATION USE ONLY IF APPLICABLE	
__	See page 1-2 #14 for ordering selections.	

**TUBE MATERIAL STYLE P**



**TUBE MATERIAL STYLE A, B, M, R, S, T, RL, RT**



↓	↓	↓	↓	↓	↓	↓	↓	↓	↓	↓	↓
4G	S	B	R	U	14"	A	Z	A	F		