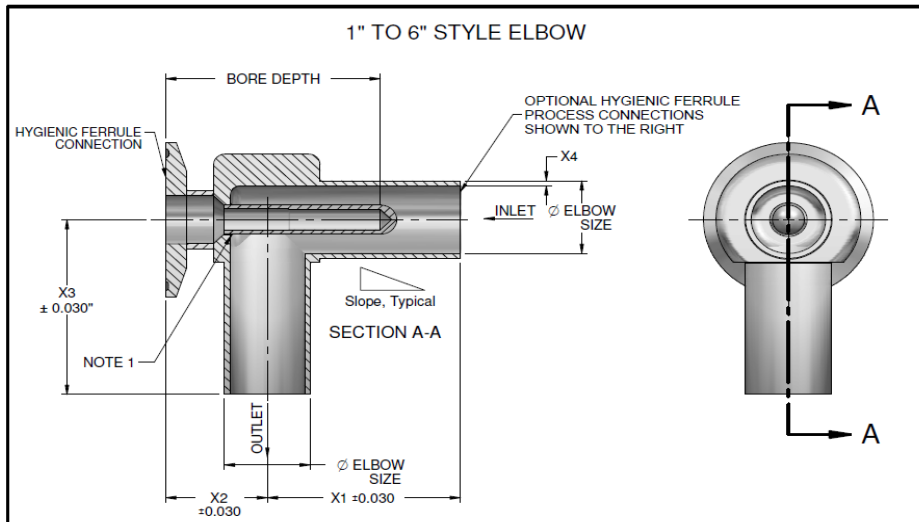


SANITARY ELBOW THERMOWELL

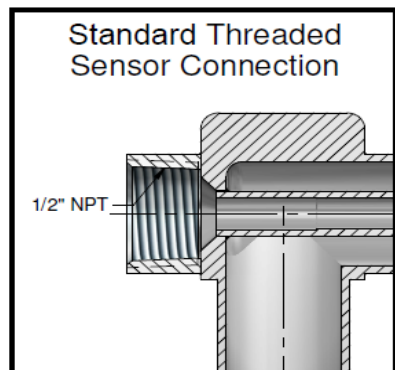
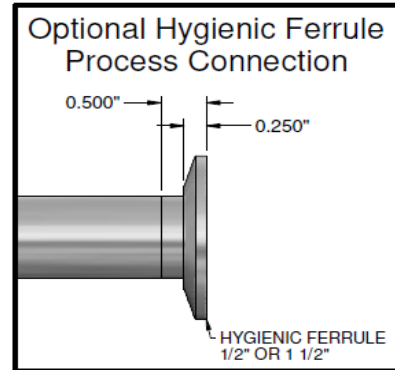
Ideal for 1" to 6" lines, these Sanitary Elbow Thermowells offer unbeatable immersion depths, enhancing temperature measurement accuracy and reliability. The integral elbow thermowell design provides the convenient ability to remove and replace a 1/4" or 6MM OD spring loaded temperature sensor for calibration or maintenance without having to open up the process line or impeding the flow of process contents. Line connections can be welded or hygienic. Sensor connection can be threaded or hygienic. Elbows comply with ASME BPE DT-4-1, MJ-8.5-1, SF-2.2-1, SF 2.2-2 (when electropolished) and SF-2.6-1. Can be installed in any orientation so long as the slope line ensures drainability.

#1	DESCRIPTION					
5R	Sanitary Elbow Thermowell					
#2	ELBOW PIPE SIZE					
1	1" Elbow	25	2-1/2" Elbow	6	6" Elbow	
15	1-1/2" Elbow	3	3" Elbow	X	Other, specify	
2	2" Elbow	4	4" Elbow			
#3	MATERIAL					
L	316L Stainless Steel (std - ASME BPE Composition Compliant)			R	AL6XN	
D	Hastelloy C-22			X	Other, specify	
Q	Hastelloy C-276					
#4	PROCESS CONNECTION MUST CHOOSE 1			SENSOR CONNECTION MUST CHOOSE 1		
1	Hygienic Ferrule -- Inlet & Outlet			N	1/2" NPTF Threaded (std)	
2	Weld Ends -- Inlet & Outlet			T5	1/2" Hygienic Ferrule	
3	Hygienic Ferrule Inlet & Weld End Outlet			T15	1-1/2" Hygienic Ferrule	
4	Weld End Inlet & Hygienic Ferrule Outlet			X	Other, specify	
X	Other, specify					
#5	BORE DEPTH 0.260" ID x 0.375" OD (MATCHING SENSOR LENGTH)					
B	2.5"		D	6" (meets ASME BPE recommended insertion length)		
C	4.5"		E	4"		
S	Length in Inches		X	Other, specify bore ID, OD and bore depth in inches.		
#6	WETTED SURFACE FINISH (Add E prefix for Electropolish, ex: ER20)					
R32	32 Ra mech finish max			R15	15 Ra mech finish max	
R25	25 Ra mech finish max			X	Other, specify	
R20	20 Ra mech finish max					
#7	EXTERNAL SURFACE FINISH (Add E prefix for Electropolish, ex: ER32)					
R32	32 Ra mech finish max			R15	15 Ra mech finish max	
R25	25 Ra mech finish max			X	Other, specify	
R20	20 Ra mech finish max					



NOTE 1: This specific weld area will not comply with ASME-BPE due to accessibility limitations.

5R	15	L	2N	B	R25	R32
----	----	---	----	---	-----	-----

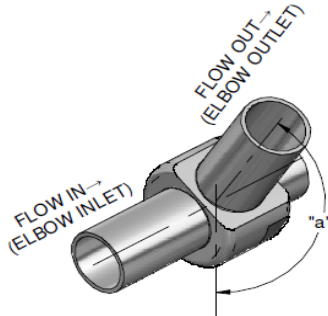


SANITARY ELBOW THERMOWELL

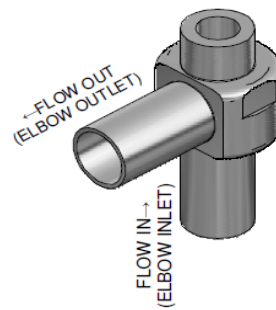
Elbow Pipe Size	X1 Dimension ± 0.030 "	X2 Nominal Dimension	X3 Nominal Dimension	X4 Nominal Dimension
1"	bore depth minus 1/4"	1.185"	2.25"	0.065"
1 - 1/2"	bore depth plus 1/2"	1.435"	3.00"	0.065"
2"	bore depth plus 3/4"	1.685"	3.25"	0.065"
2 - 1/2"	bore depth plus 1"	1.935"	3.50"	0.065"
3"	bore depth plus 1 - 1/2"	2.185"	4.00"	0.065"
4"	bore depth plus 3-1/2"	2 - 3/4"	6.00"	0.083"
6"	5 - 5/8"	5 - 3/4"	5.50"	0.109"

1" through 6" Elbow Installation Positions

(In all cases, sufficient line slope must be maintained to ensure gravity drainability.)



INSTALLATION POSITION 1
("a" CAN BE 0° TO 360°)



INSTALLATION POSITION 2