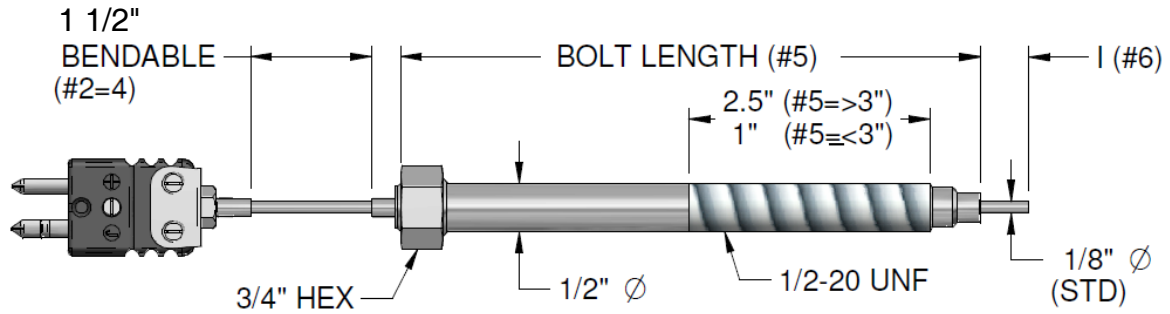
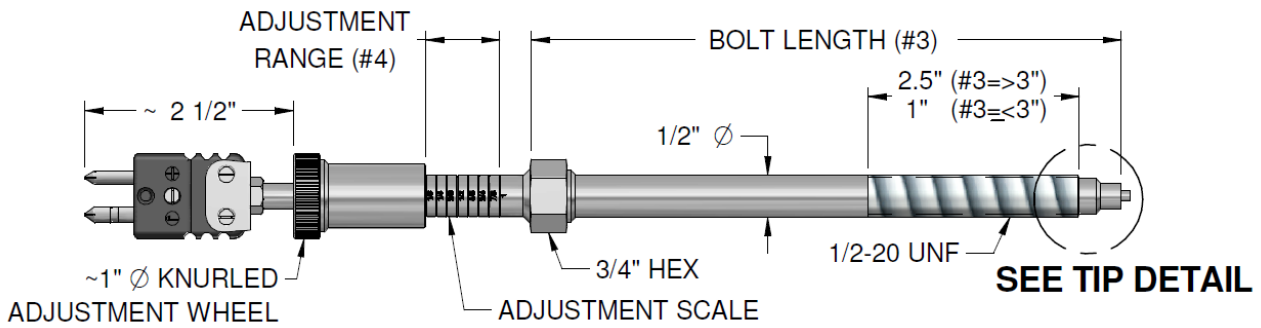


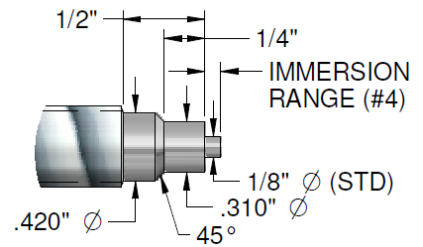
# PLASTIC MELT SENSORS



**BOLT WITH BENDABLE METAL EXTENSION AND FLUSH IMMERSION**



## TIP DETAIL



**ADJUSTABLE PLASTIC MELT SENSOR**