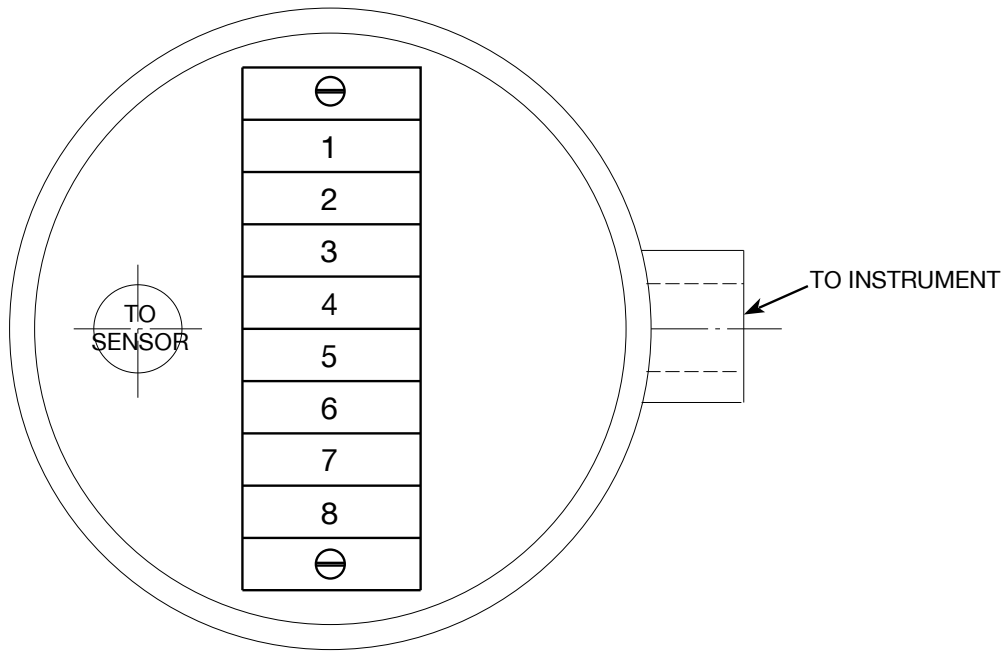
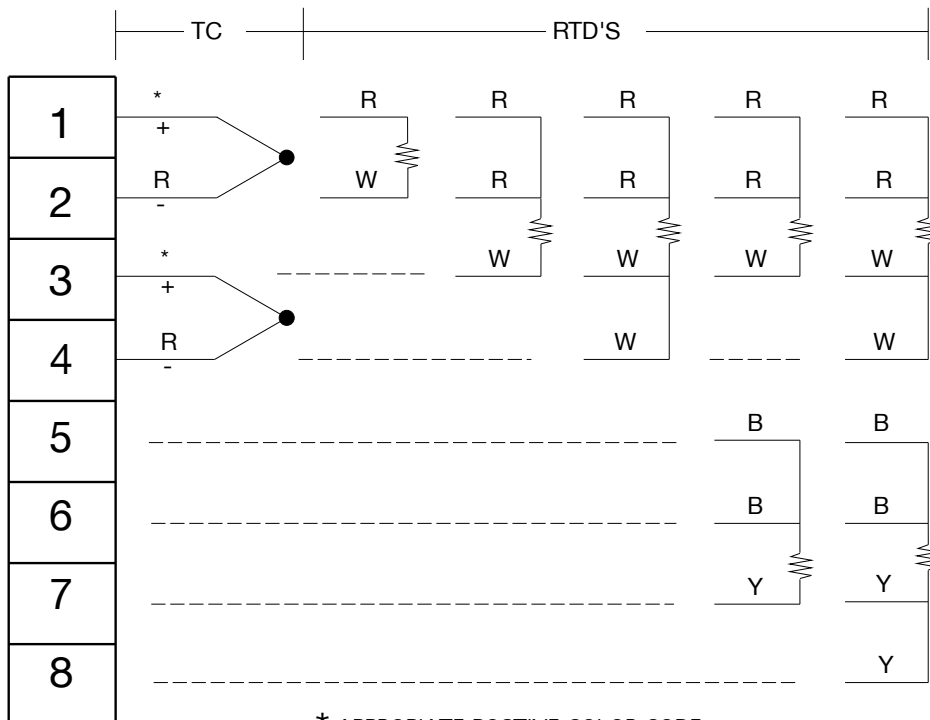


OUT WIRING STANDARDS



SECTION 6



Nominal sequence for plugs, terminal blocks and connectors.