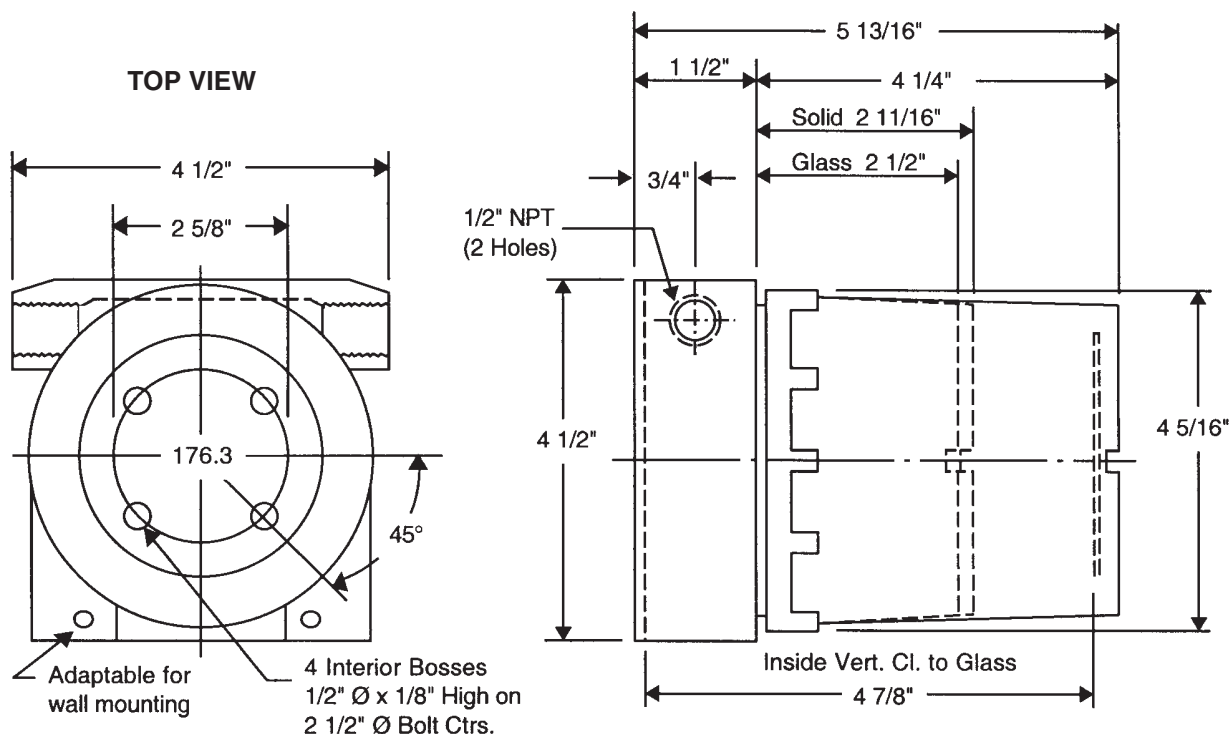


## MODEL 888

- Thermocouple and RTD input.
- RFI sensitive.
- Continuous span and zero field adjustability to 10% of designated span.
- Acceptable for hazardous locations. May be used in Class 1, Groups B, C, D, Class II, Groups E, F, F, and Class III, NEMA 4. See section 8 page 23 and 24 for FM classifications.
- On thermocouple model, cold junction compensation is included.
- Analog or digital temperature indication.
- Isolated or non-isolated transmitter.
- 5 year warranty.



### SPECIFICATION

- \*Isolation:  
1kV optical isolation peak to peak.
- \*Calibration Accuracy:  
+/- 0.1% of calibrated span of output.
- \*Linearity/Repeatability for RTD transmitters:  
+/- 0.1%
- \*Inputs:  
RTD, thermocouple, millivolt signal, DC voltage and milliamp signal.
- Stability:  
+/- 0.2% of calibrated span for 6 months.
- Outputs:  
4-20 mA DC.
- Span:  
Specify span needed.
- Power Supply:  
24 VDC +/- 10% regulation.
- Noise Rejection:  
Extremely high common mode and normal mode rejection.
- Span and Zero:  
Adjustable continuously to 10% or range designated.
- Approximate Output Limits:  
3.8 mA DC minimum and 26 mA DC maximum. Upscale burn-out.
- Turn-on time:  
2 seconds, no warm up required.

\*Indicates "twice as good".