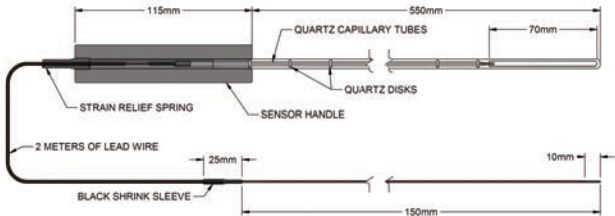
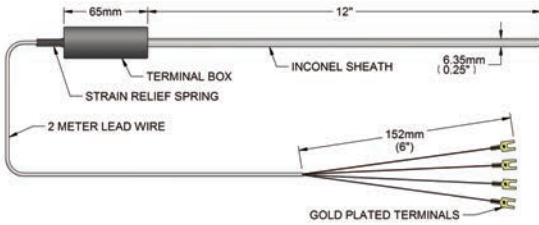


# LABORATORY THERMOMETERS

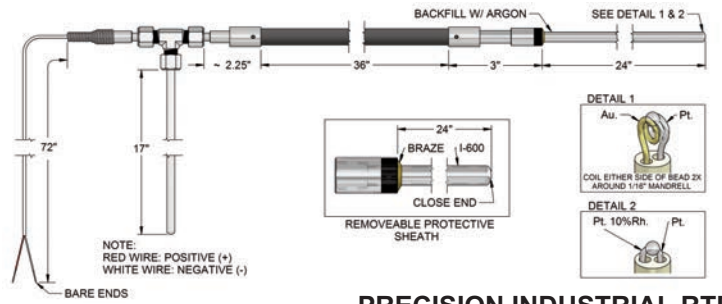
## STANDARD PLATINUM RESISTANCE THERMOMETERS



## SECONDARY STANDARD RTDS



## JMS STANDARDS THERMOCOUPLE



## PRECISION INDUSTRIAL RTD

