

# FLANGED THERMOWELLS

#1	DESCRIPTION [See pages 25-27 for complete information on dimensions, velocity ratings, and pressure ratings]
5T	Thermowells - Add "W" here for a brass plug with a SS chain attached to well (Ex: 5TW)

#2	CONFIGURATION		
A S T	Step shank (Standard) Straight shank Tapered shank	B* X	Built-up Thermowell (See pg. 5-2) Other, specify

\* Over 40" use "Built Up" design. See page 5-2 for drawing.

**Note:** Standard sensor connections are 1/2" FNPSM (female straight) to match 1/2" MNPT (male tapered)

#3	BORE SIZE & SENSOR CONNECTION Standard is NPSM.		
2	.260" ID used for .250" OD sensors (Standard)		
3	.385" ID used for .375" OD sensors (straight or tapered only)		
X	Other, specify		

**Note:** Add "N" for FNPT. (Ex: 2N = .260" bore, 1/2" FNPT sensor conn.) See drawing below.

#4	U (INSERTION) DEPTH [15]	"U" DIMENSION	SENSOR LENGTH
A	2"	2"	4"
B	4"	4"	6"
C	7"	7"	9"
D	10"	10"	12"
E	13"	13"	15"
F	16"	16"	18"
G	22"	22"	24"
X	Other, specify		

#5	T (LAG) EXTENSION [15]
T=___"	Length in inches
Z	N/A (Standard)

#6	WELL MATERIAL [31-34]		
G	Carbon steel	A*	Alloy 800H/HT
H	304 Stainless steel	P*	Hastelloy B-3
I	Low Carbon 304 Stainless steel	Q*	Hastelloy C-276
J	310 Stainless steel	S*	Titanium
K	316 Stainless steel	X	Other, specify
L	Low Carbon 316 Stainless steel		
M	Inconel 600		
N*	Monel 400		

\*Special jackets & coatings are available for thermowells. Call JMS for more information or [www.jms-se.com](http://www.jms-se.com).

#7	WELD AND SIZE OF FLANGE		
3	1"	5	2"
4	1 1/2"	X	Other, specify

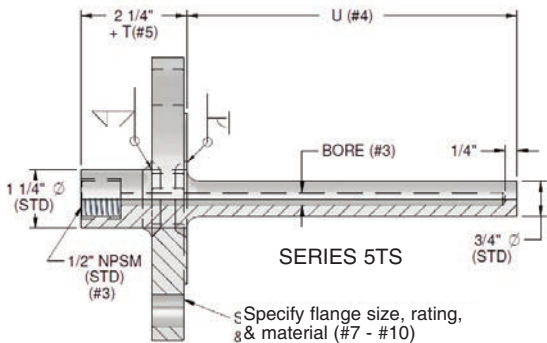
**Note:** Add "F" prior to # if Full Pen Weld req. (ex:F4 = Full Pen 1 1/2" flange)

#8	FLANGE LBS RATING per ASME B-16.5		
A	150	E	900
B	300	F	1500
C	400	X	Other, specify
D	600		

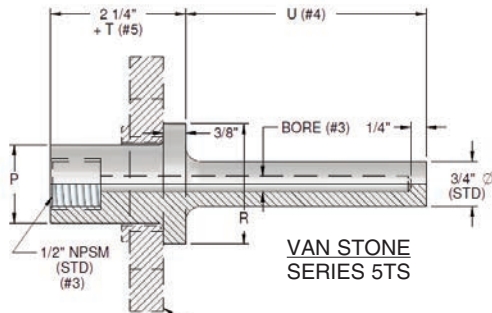
#9	FACING		
1	Raised (Standard)	4	Van Stone no flange
2	Flat	5	Van Stone w/flange
3	Ring Joint Type	X	Other, specify

#10	FLANGE MATERIAL [31-34]		
G	Carbon steel	N*	Monel 400
H	304 SS	A*	Alloy 800H/HT
I	Low Carbon 304 SS	P*	Hastelloy B-3
J	310 SS	Q*	Hastelloy C-276
K	316 SS	S*	Titanium
L	Low Carbon 316 SS	X	Other, specify
M	Inconel 600		

\* Economical sleeve alternatives available. Call JMS for details.



Van Stone Dimensions Chart			
	P (stem diameter)	R (sealing face diameter)	Flange Bore
1"	1.315"	2"	1.375"
1 1/2"	1.900"	2.875"	1.970"
2"	2.375"	3.625"	2.46"



#11	TAGGING OPTIONS		
1	Tag # stamped on well (Std)		
X	Other		
M	MTR		
W	Premium SwiftyCalc ASME 19.3TW Calculation		

5T	A	2	C	Z	H	4	A	1	H	1
----	---	---	---	---	---	---	---	---	---	---

**Note:** You must always specify information required on tag.