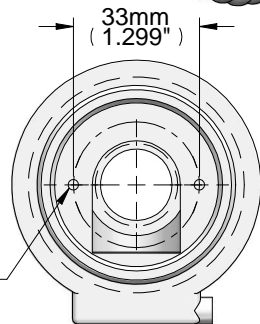


Suitable for Sanitary applications
 Excellent corrosion resistance
 Weather tight seal
 Rain and dust resistant
 Very lightweight
 NEMA 4X
 Continuous use temp rating of 198°F. (PP)

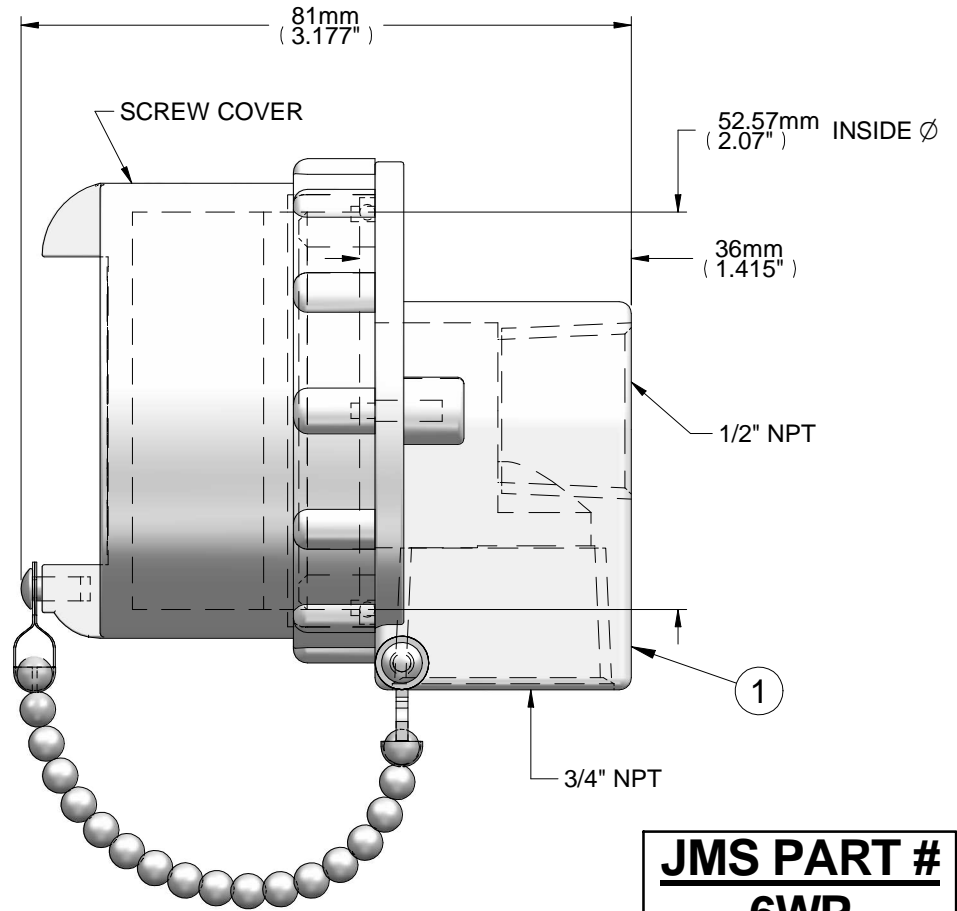


HOLE PATTERNS FOR MOUNTING
 TERMINAL BLOCK/ TRANSMITTER

6-32 SCREWS

DESCRIPTION

1 HEAD, WHITE POLYPROPYLENE (PP), SECURE SCREW CAP & CHAIN, 1/2" X 3/4" FNPT, SILICONE GASKET, NEMA 4X



JMS PART #
6WP

JMS SOUTHEAST INCORPORATED CERTIFIES THIS DRAWING IS IN ACCORDANCE WITH JMS SOUTHEAST INCORPORATED ENGINEERING SPECIFICATIONS AND ACCURATELY REPRESENTS THE EQUIPMENT FURNISHED. THIS DRAWING IS THE SOLE PROPERTY OF JMS SE, AND MUST BE RETURNED UPON DEMAND IT MAY NOT BE REPRODUCED NOR THE INFORMATION CONTAINED THEREIN USED WITHOUT THE WRITTEN PERMISSION OF JMS SOUTHEAST INCORPORATED

Company Name:		JMS-SE HEADS	
Reference Data:	Drawing #:		

TOLERANCE TABLE:	Approvals	Initials	Date
PROBE (L): 0-48" ±1/8"	Drafting		
48"-144" ±1/4"			
144"+ -1"/+2"			
WIRE (L): <24" -1/2"/+1"	Engineering		
>24" -1/2"/+2"			
PROT. TUBE (P&U): ±1/4"			
FRACTIONAL DIM: ±1/8"	Second		
DECIMAL DIM:			
XX ±0.10"			
XXX ±0.010"			
XXXX ±0.005"	UNLESS STATED OTHERWISE		



JMS SOUTHEAST, INC.
 Temperature Measurement
 105 Temperature Lane
 Statesville, North Carolina 28677
 Phone: (704) 873-1835
 Fax: (704) 878-6166
 www.jms-se.com
 Email: sensors@jms-se.com