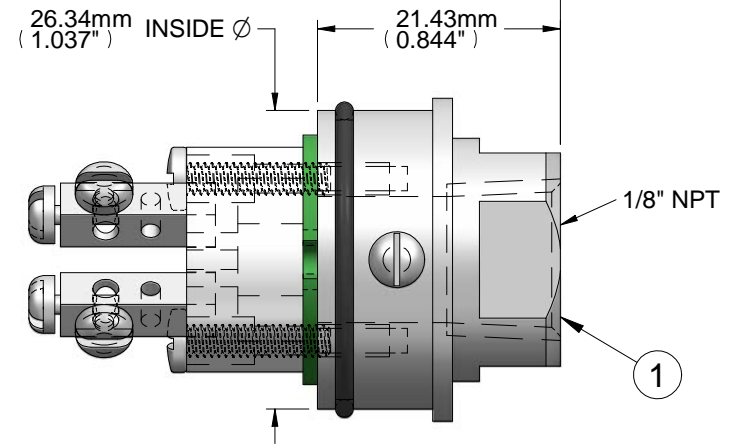
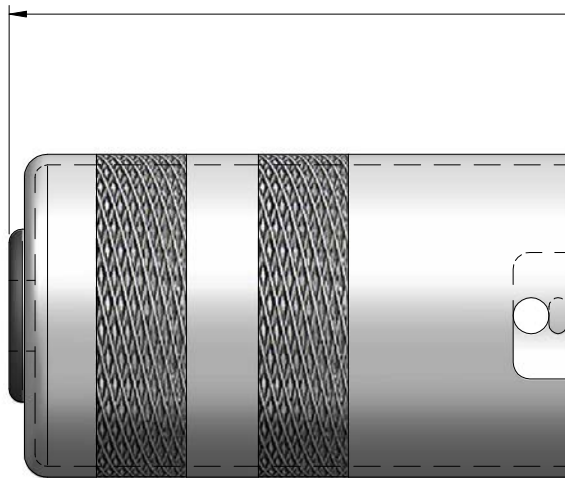
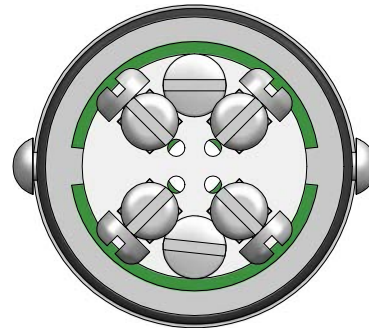
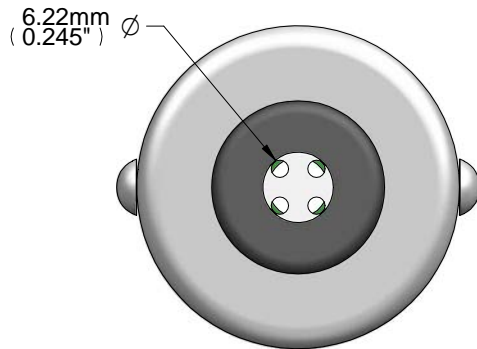


60.46mm
(2.381")
(ASSEMBLED)



JMS PART #
6S125



Small and lightweight

JMS SOUTHEAST INCORPORATED CERTIFIES THIS DRAWING IS IN ACCORDANCE WITH JMS SOUTHEAST INCORPORATED ENGINEERING SPECIFICATIONS AND ACCURATELY REPRESENTS THE EQUIPMENT FURNISHED. THIS DRAWING IS THE SOLE PROPERTY OF JMS SE, AND MUST BE RETURNED UPON DEMAND IT MAY NOT BE REPRODUCED NOR THE INFORMATION CONTAINED THEREIN USED WITHOUT THE WRITTEN PERMISSION OF JMS SOUTHEAST INCORPORATED

Company Name:		JMS-SE HEADS	
Reference Data:	Drawing #:		
TOLERANCE TABLE:		Approvals	Initials
PROBE (L): 0-48" ±1/8"		Drafting	Date
48"-144" ±1/4"			
144"+ -1"/+2"		Engineering	
WIRE (L): <24" -1/2"/+1"			
>24" -1/2"/+2"		Second	
PROT. TUBE (P&U): ±1/4"			
FRACTIONAL DIM: ±1/8"			
DECIMAL DIM:			
XX ±0.10"			
XXX ±0.010"			
X,XXX ±0.005"			
UNLESS STATED OTHERWISE			



JMS SOUTHEAST, INC.
Temperature Measurement
105 Temperature Lane
Statesville, North Carolina 28677
Phone: (704) 873-1835
Fax: (704) 878-6166
www.jms-se.com
Email: sensors@jms-se.com

REV. 4-10-2009

DESCRIPTION	
1	HEAD, CYLINDER STYLE, 1/8" FNPT ENTRY X 1/8" ID RUBBER GROMMET EXIT