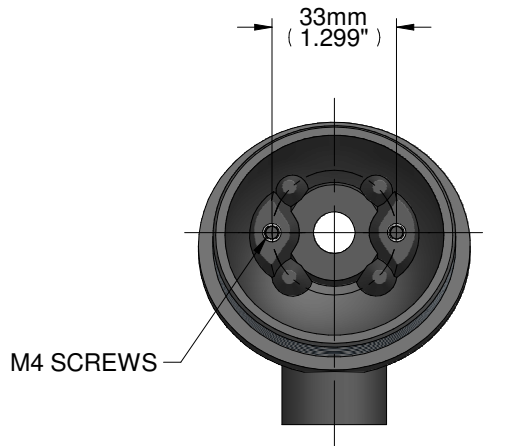


Excellent corrosion resistance
 Moisture resistant
 Dust resistant
 Very lightweight
 Maximum temp rating 130°C



HOLE PATTERNS FOR MOUNTING
 TERMINAL BLOCK/ TRANSMITTER

JMS PART #
6Q

JMS SOUTHEAST INCORPORATED CERTIFIES THIS DRAWING IS IN ACCORDANCE WITH JMS SOUTHEAST INCORPORATED ENGINEERING SPECIFICATIONS AND ACCURATELY REPRESENTS THE EQUIPMENT FURNISHED. THIS DRAWING IS THE SOLE PROPERTY OF JMS SE, AND MUST BE RETURNED UPON DEMAND IT MAY NOT BE REPRODUCED NOR THE INFORMATION CONTAINED THEREIN USED WITHOUT THE WRITTEN PERMISSION OF JMS SOUTHEAST INCORPORATED

Company Name: **JMS-SE HEADS**

COLD END TERMINATION SELECTION = Q Drawing #: **18262-M**

TOLERANCE TABLE:		Approvals	Initials	Date
PROBE (L): 0-48"	±1/8"	Drafting		
48"-144"	±1/4"			
144"+	-1"/+2"			
WIRE (L): $-24"$	-1/2"/+1"	Engineering		
>24"	-1/2"/+2"			
PROT. TUBE (P&U):	±1/4"			
FRACTIONAL DIM:	±1/8"	Second		
DECIMAL DIM:				
XX	± 0.10"			
XXX	± 0.010"			
XXXX	± 0.005"			
UNLESS STATED OTHERWISE				



JMS SOUTHEAST, INC.
 Temperature Measurement
 105 Temperature Lane
 Statesville, North Carolina 28677
 Phone: (704) 873-1835
 Fax: (704) 878-6166
 www.jms-se.com
 Email: sensors@jms-se.com

#	DESCRIPTION
1	HEAD, SCREW TOP, 1/2" NPT X 1/2" NPT PORTS, PHENYL POLIOXIDE (NORYL)